

SYSTEM LAYOUT AND INTERCONNECTION DETAILS

IMPORTANT NOTE:

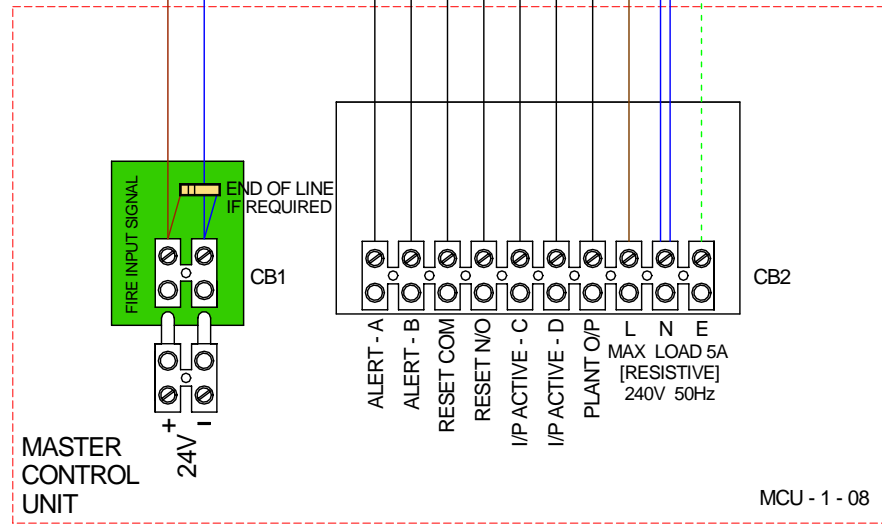
ALL FIELD WIRING IS 230 VOLT ALL WIRING CABLES INSTALLED MUST BE SELECTED TO SUIT THE VOLTAGES PRESENT IN ACCORDANCE WITH THE MOST CURRENT EDITION OF BS7671 THIS EQUIPMENT SHOULD BE FITTED BY A COMPETENT PERSON

IF INPUT SIGNAL IS OBTAINED FROM A LOCAL SOUNDER CIRCUIT YOU MUST LOOP THE SOUNDER CIRCUIT IN & OUT OF THE MASTER CONTROL UNIT TO MAINTAIN END OF LINE MONITORING FOR THE MAIN SYSTEM.

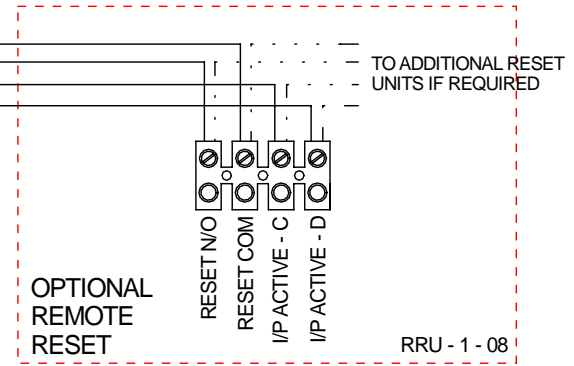
A 4 CORE +CPC FIRE PROOF CABLE MAY BE USED TO EXTEND THE SOUNDER CIRCUIT FROM A SUITABLE JUNCTION BOX OR DEVICE.

2 Core + CPC Required
Fire Resistant Cable Required

24 VOLT TRIGGER INPUT FROM FIRE ALARM SYSTEM SOUNDER CIRCUIT OR FIRE RELAY



4 Core + CPC Required
CPC Not Indicated

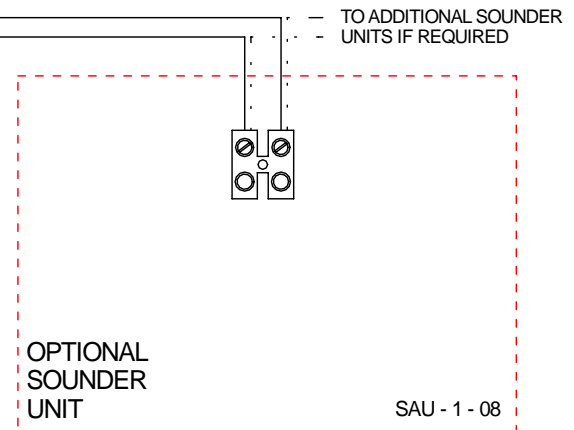


TO ADDITIONAL RESET UNITS IF REQUIRED

OPTIONAL REMOTE RESET

RRU - 1 - 08

2 Core + CPC Required
CPC Not Indicated



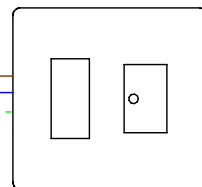
TO ADDITIONAL SOUNDER UNITS IF REQUIRED

OPTIONAL SOUNDER UNIT

SAU - 1 - 08

SWITCHED 230V OUTPUT TO EQUIPMENT FAILS SAFE ON MOMENTARY POWER LOSS OR FIRE ALARM INPUT TRIGGER ACTIVATION.

MANUAL RESET REQUIRED AFTER TRIGGER IS REMOVED



13 AMP 230V FUSED SPUR UNIT (NOT SUPPLIED)
FUSED WITH 3 AMP INDUCTIVE or 5 AMP RESISTIVE LOADS